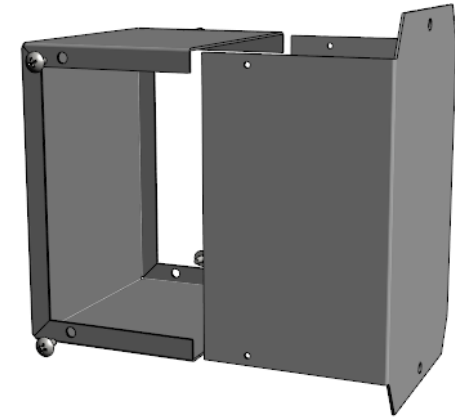
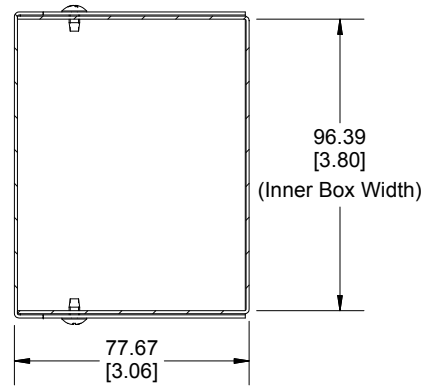
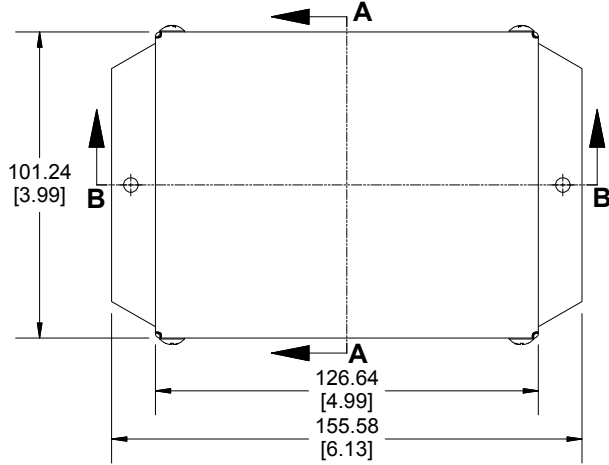


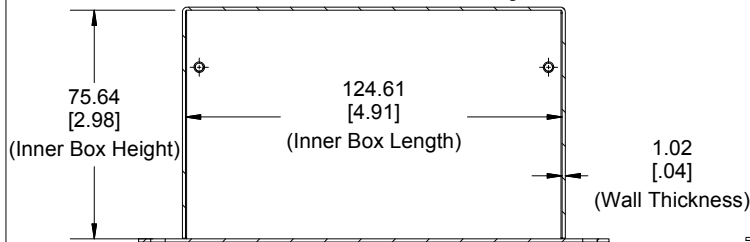
**SECTION A-A  
End View of Assembly**



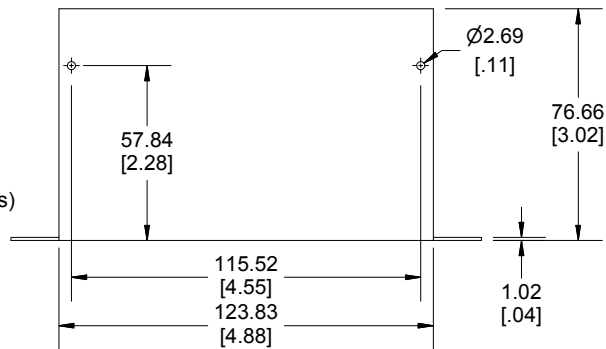
**Top View of Assembly**



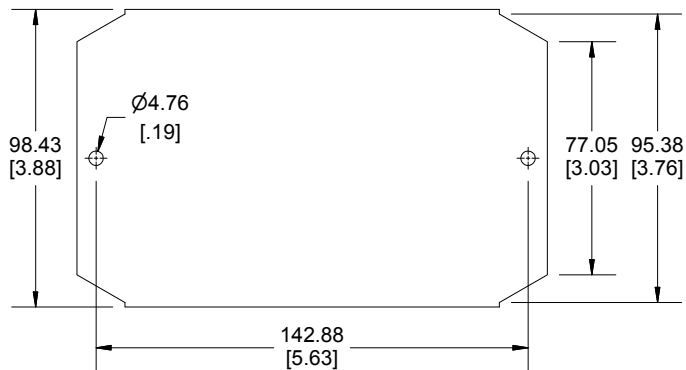
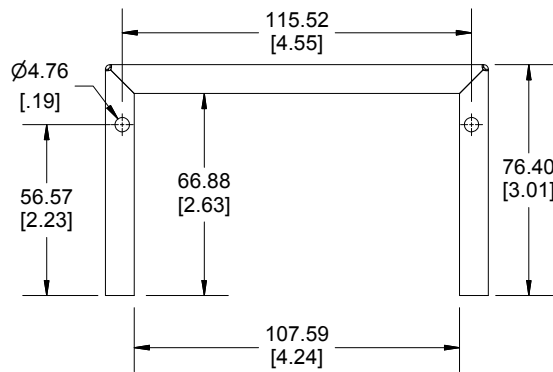
**SECTION B-B  
Side View of Assembly**



**Side View of Flanged Bottom**



**Side View of Cover**



Enclosures can be Factory Modified ( Milling, Drilling, Printing etc.)  
Contact Factory [mjm@hammondmfg.com](mailto:mjm@hammondmfg.com) for quotes  
Solid models of this enclosure available in STEP or IGES.

**NOTE**

Purchased assembly includes flanged bottom, cover and 4 cover screws.  
Bottom and cover are made from 0.04" Aluminum Panels.

**PART NUMBERS**

<b>1411FBL Enclosure</b>	
<b>Natural Finish Enclosure</b>	1411FBLU
<b>Black Enclosure</b>	1411FBLBK
<b>ACCESSORIES</b>	
<b>Plated Cover Screws (Pkg 6)</b>	1421J6
<b>[6-32 x 1/4" Self-Tapping Screws]</b>	
<b>Black Cover Screws (Pkg 6)</b>	1421J6BK
<b>[6-32 x 1/4" Self-Tapping Screws]</b>	

**HAMMOND  
MANUFACTURING™**

**1411FBL**

[www.hammondmfg.com](http://www.hammondmfg.com)

**Dimensions:**  
mm  
[inches]